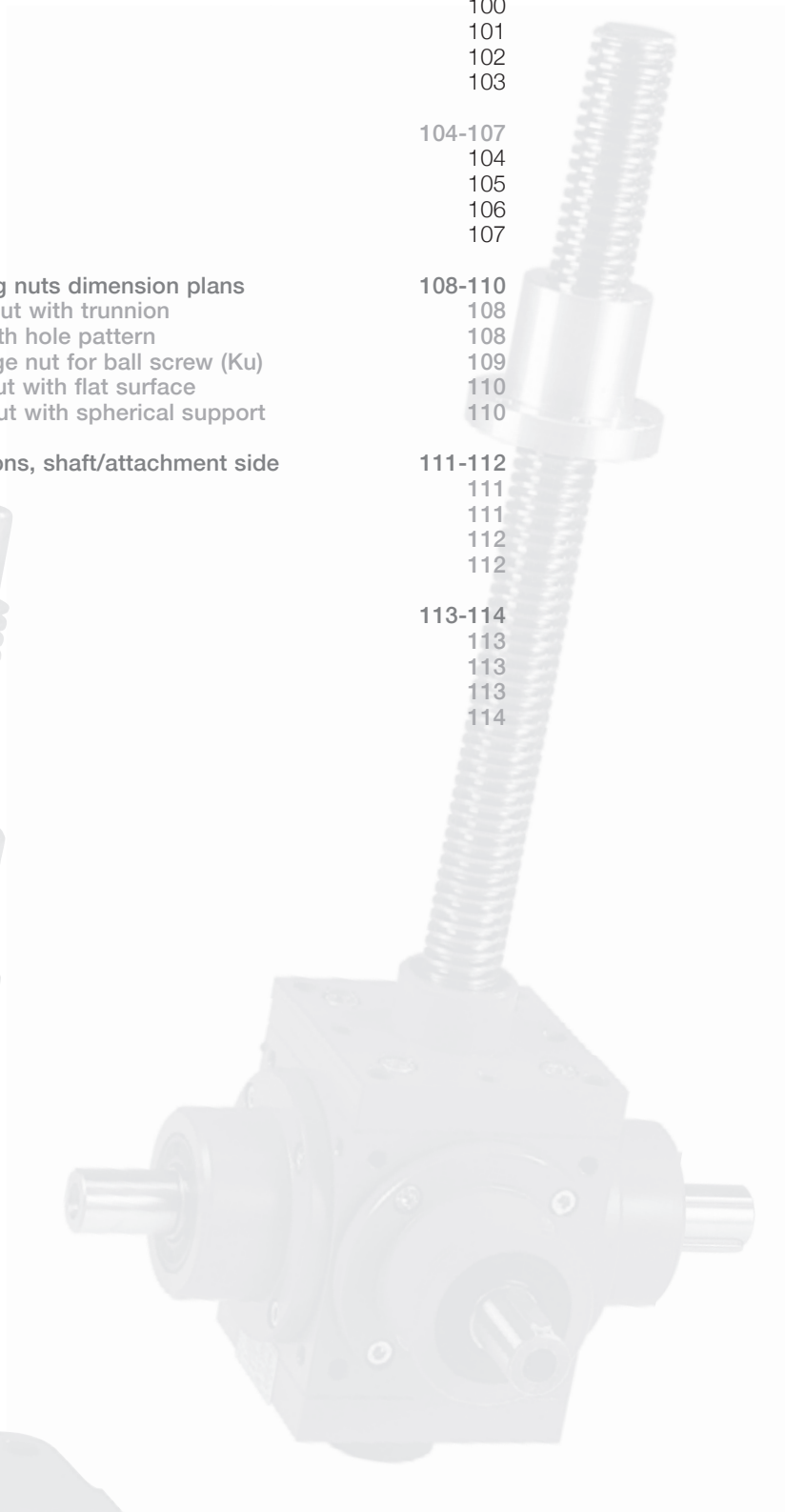


Screw jacks

Contents

3.8	SHG range dimension plans	99-107
3.8.1	Type 1	100-103
3.8.1.1	Size G 15	100
3.8.1.2	Size G 25	101
3.8.1.3	Size G 50	102
3.8.1.4	Size G 90	103
3.8.2	Type 2	104-107
3.8.2.1	Size G 15	104
3.8.2.2	Size G 25	105
3.8.2.3	Size G 50	106
3.8.2.4	Size G 90	107
3.9	Special travelling nuts dimension plans	108-110
3.9.1	LWZ Travelling nut with trunnion	108
3.9.2	Travelling nut with hole pattern	108
3.9.3	EFM Single flange nut for ball screw (Ku)	109
3.9.4	LSF Travelling nut with flat surface	110
3.9.5	LSA Travelling nut with spherical support	110
3.10	Mounting positions, shaft/attachment side	111-112
3.10.1	SHE range	111
3.10.2	MERKUR range	111
3.10.3	HSE range	112
3.10.4	SHG range	112
3.11	Ordering details	113-114
3.11.1	SHE range	113
3.11.2	MERKUR range	113
3.11.3	HSE range	113
3.11.4	SHG range	114

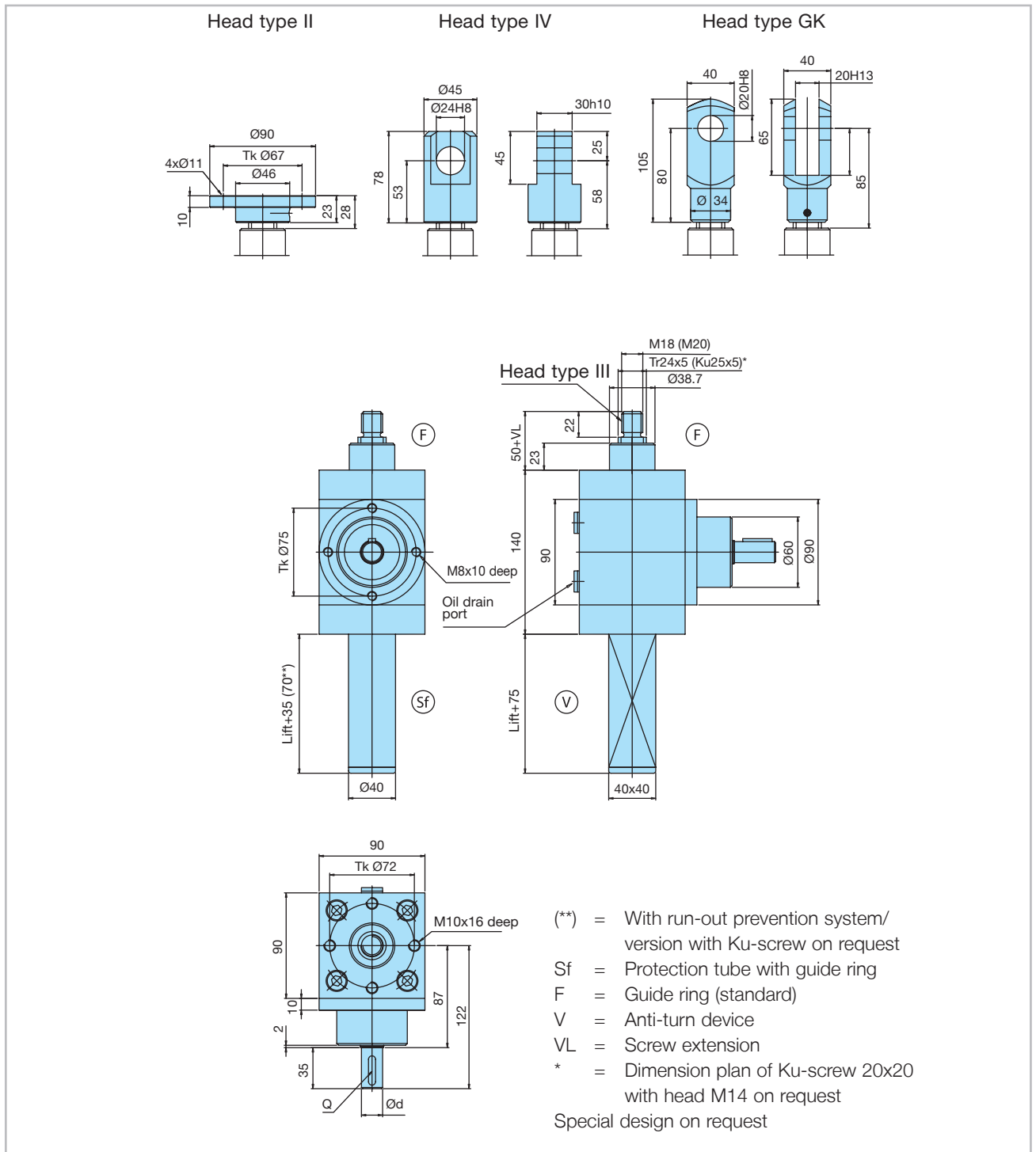


## 3.8 SHG range dimension plans

### 3.8.1 Type 1

#### 3.8.1.1 Size G 15

3

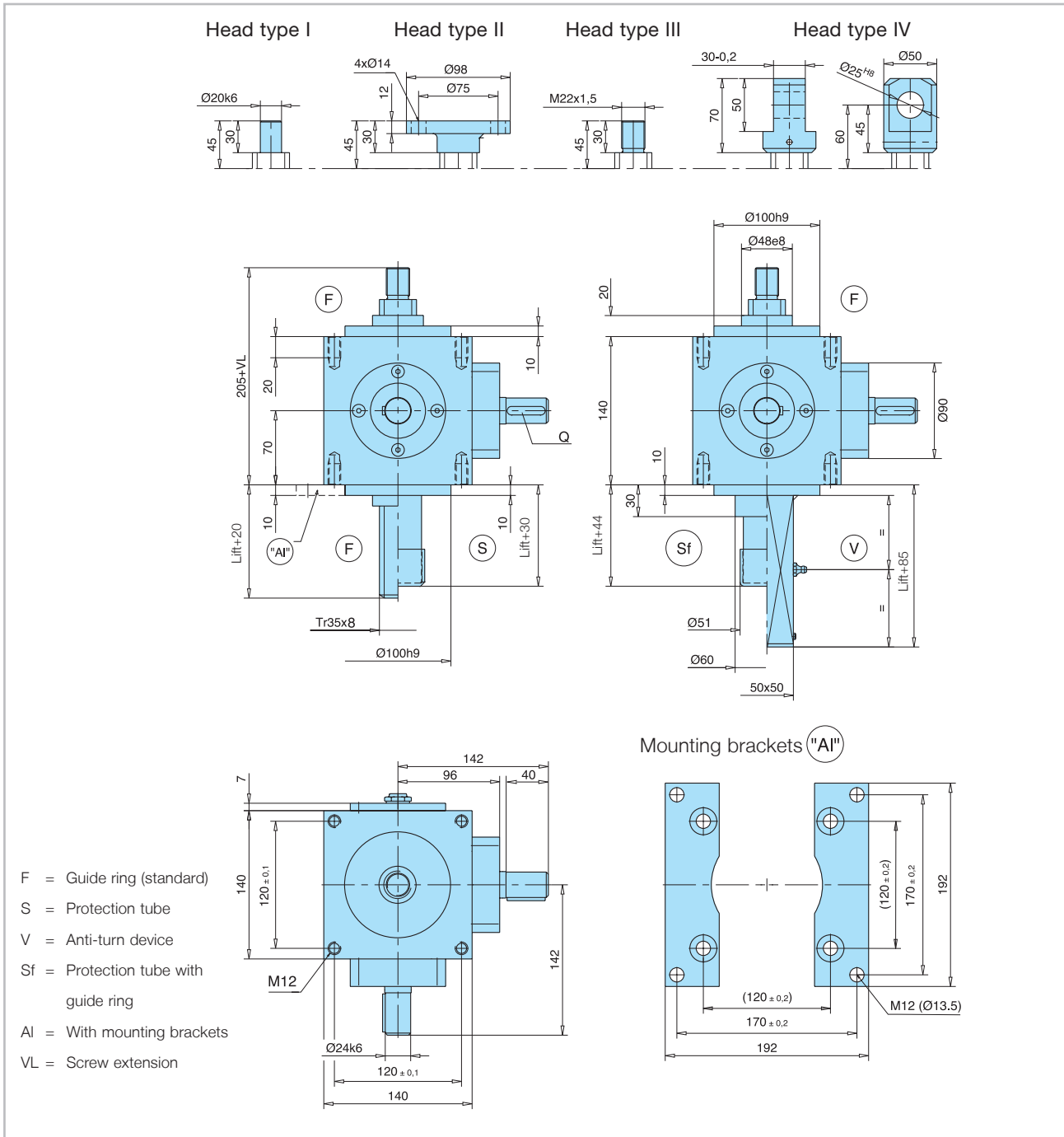


Ratio	Ød j6	Q (DIN 6885)
2:1	18	A 6x6x25
3:1	12	A 4x4x25

## Screw jacks

### 3.8 SHG range dimension plans

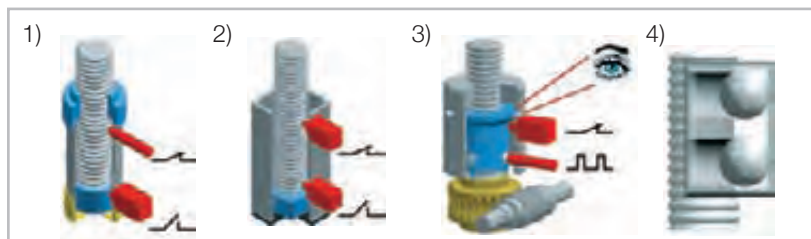
#### 3.8.1.2 Size G 25



#### Options:

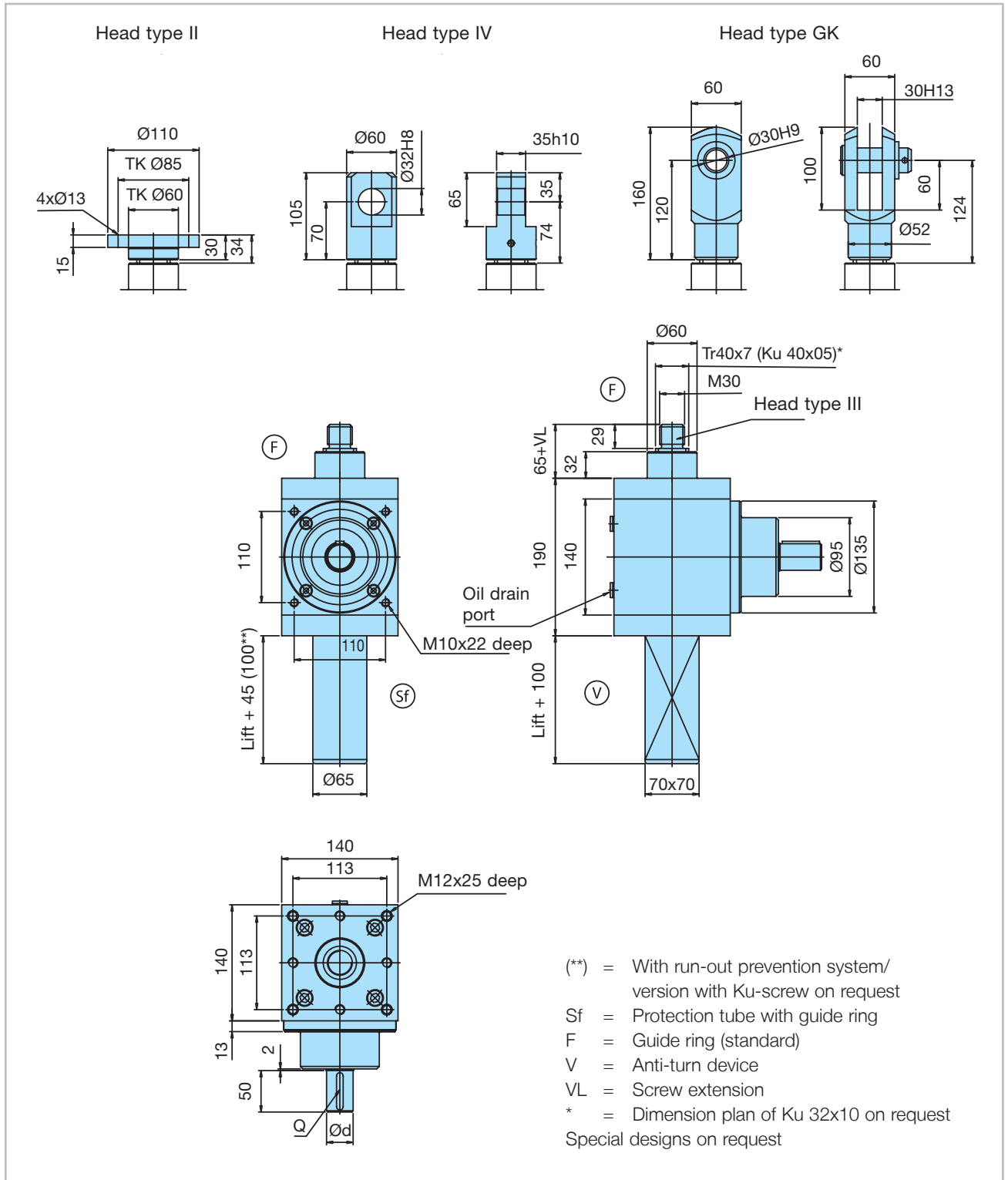
Dimension plans of the options available on request

- 1) Stroke shutoff
- 2) Anti-turn device with stroke shutoff
- 3) Long safety nut (VB14)
- 4) Ball screw



## 3.8 SHG range dimension plans

### 3.8.1.3 Size G 50

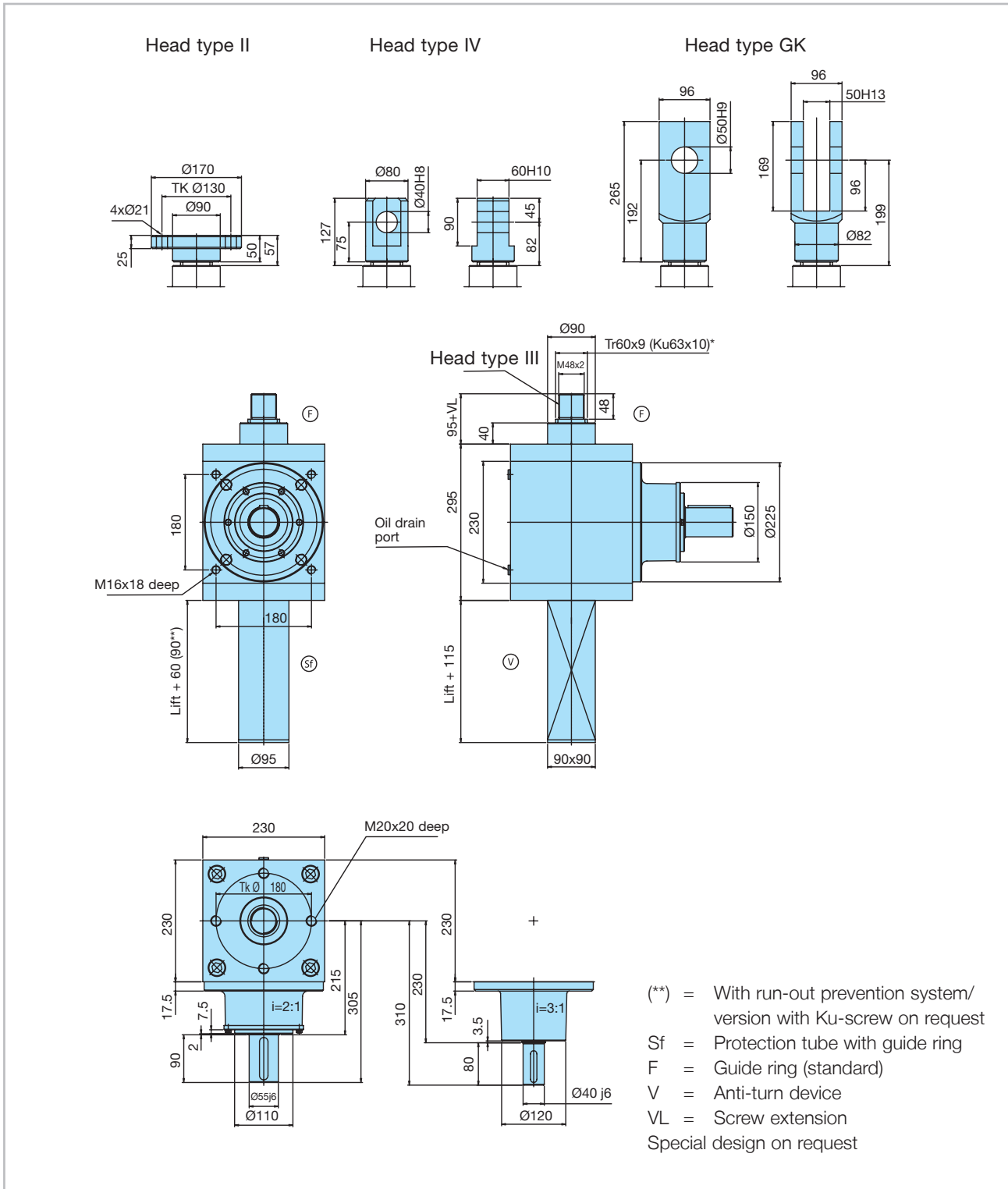


Ratio	Ød j6	Q (DIN 6885)
2:1	32	A 10x8x45
3:1	28	A 8x7x45

## Screw jacks

### 3.8 SHG range dimension plans

#### 3.8.1.4 Size G 90



3

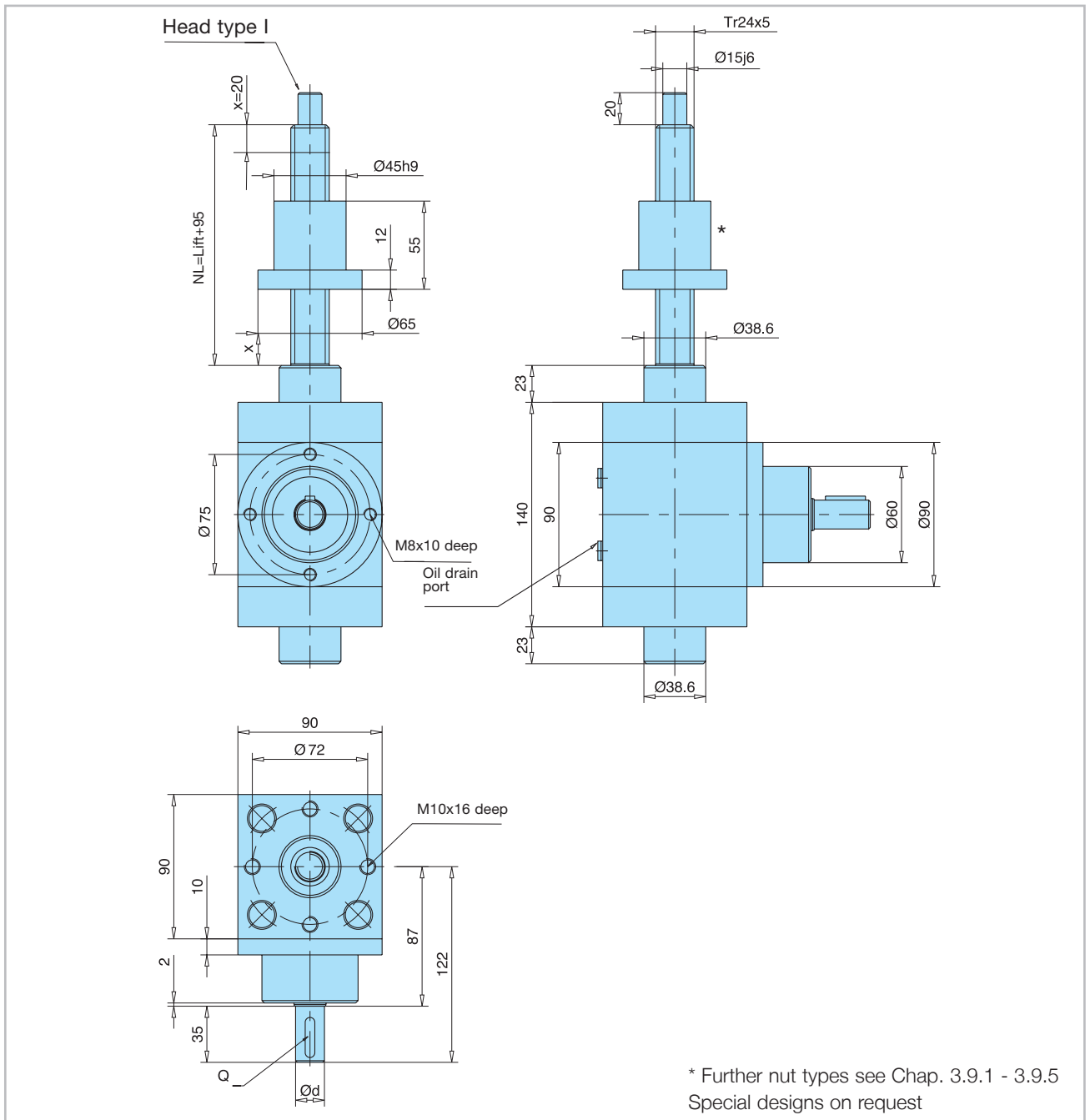
Ratio	Ød j6	ØD1	L1	L2	L3	Q (DIN 6885)
2:1	55	150	215	305	90	A 16x10x80
3:1	40	120	230	310	80	A 12x8x63




## 3.8 SHG range dimension plans

### 3.8.2 Type 2

#### 3.8.2.1 Size G 15

3



1)  2)  3) 

**Options:**  
Dimension plans of the options available on request

- 1) Ball screw and flange nut, see chapter 3.9.2/3.9.3
- 2) Short safety nut
- 3) Long safety nut

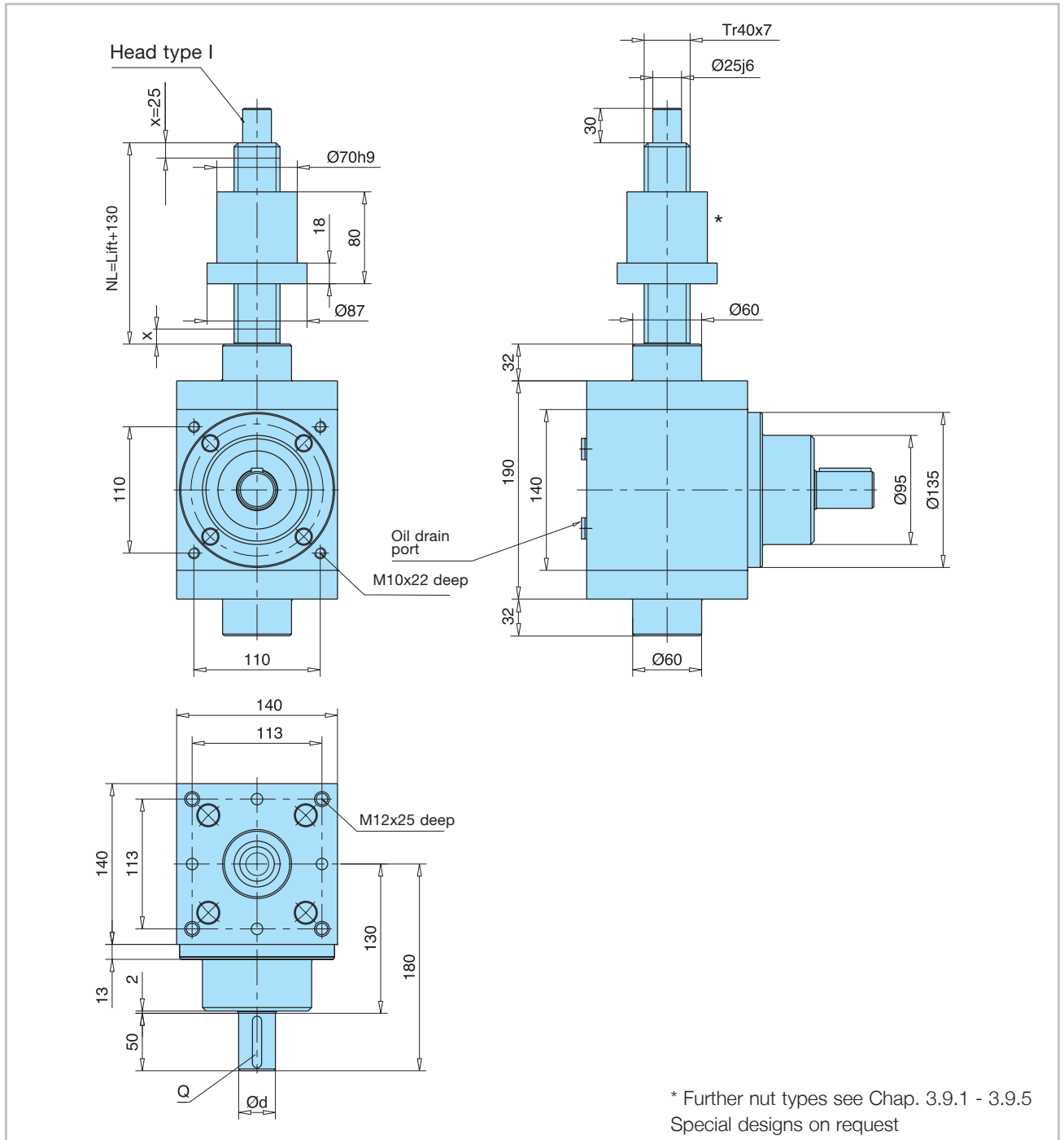
Ratio	Ød j6	Q (DIN 6885)
2:1	18	A 6x6x25
3:1	12	A 4x4x25






## 3.8 SHG range dimension plans

### 3.8.2.3 Size G 50

3



1)  2)  3) 

**Options:**  
Dimension plans of the options available on request

- 1) Ball screw and flange nut, see chapter 3.9.2/3.9.3
- 2) Short safety nut
- 3) Long safety nut

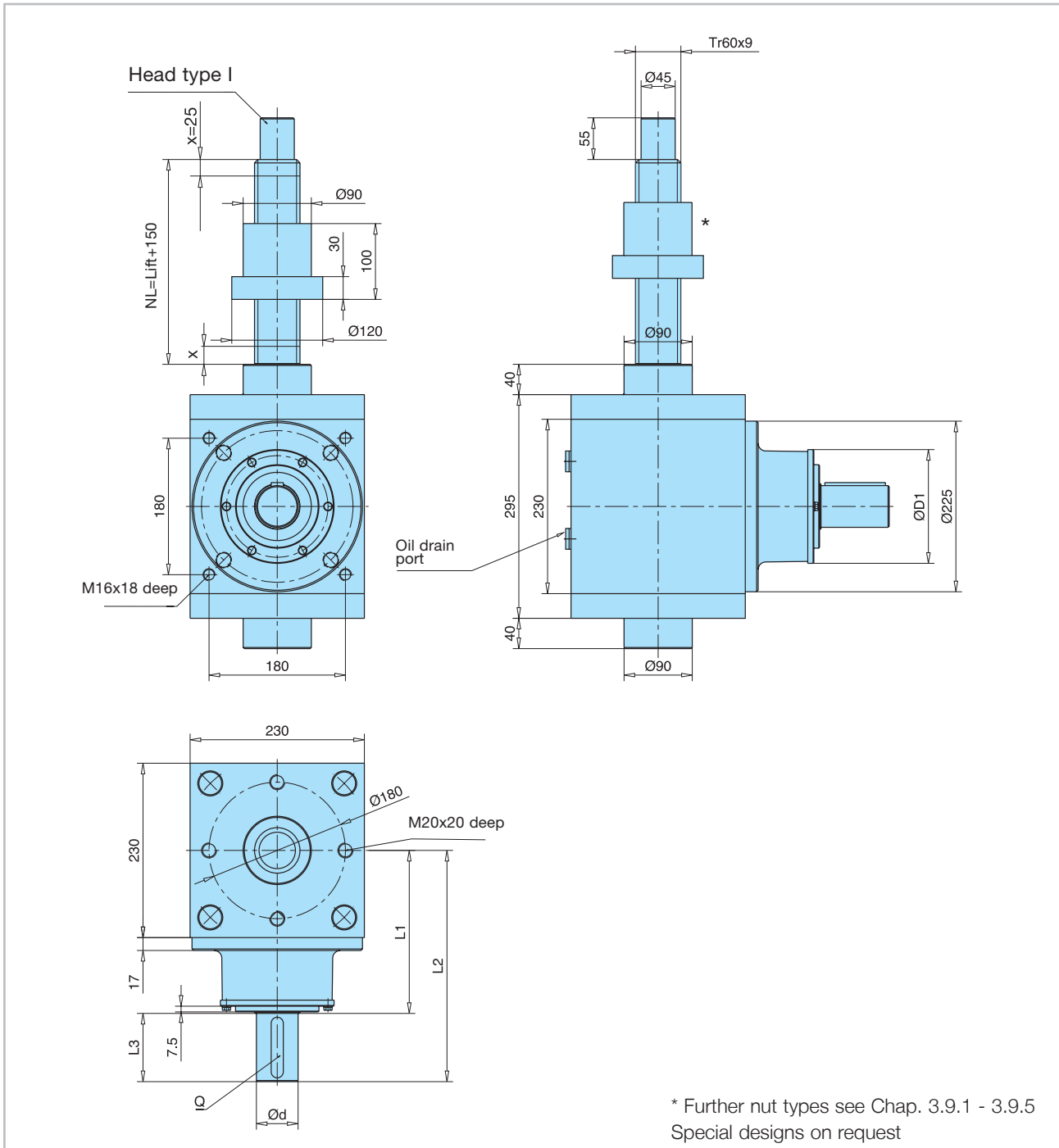
Ratio	$\text{Ø}d \text{ j}6$	Q (DIN 6885)
2:1	32	A 10x8x45
3:1	28	A 8x7x45



## Screw jacks

### 3.8 SHG range dimension plans

#### 3.8.2.4 Size G 90



3

Ratio	Ød j6	ØD1	L1	L2	L3	Q (DIN 6885)
2:1	55	150	215	305	90	A 16x10x80
3:1	40	120	230	310	80	A 12x8x63

1) 2) 3)

**Options**  
Dimension plans of the options available on request

- 1) Ball screw and flange nut, see chapter 3.9.2/3.9.3
- 2) Short safety nut
- 3) Long safety nut